

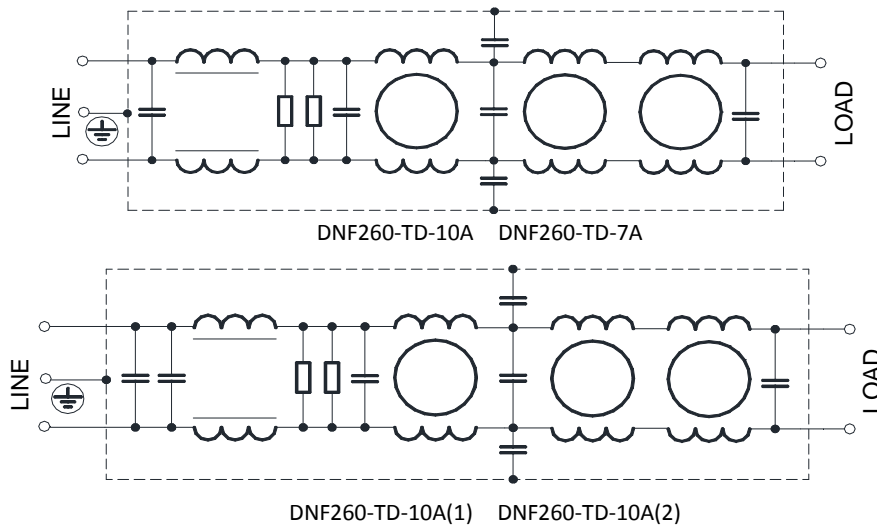
**1 Features**

- Multi-stage filter with excellent insertion losses at a wide frequency range
- Applicable to the switching power supplies, UPS and other industrial automatic –control equipment
- CE approved
- Customization accepted

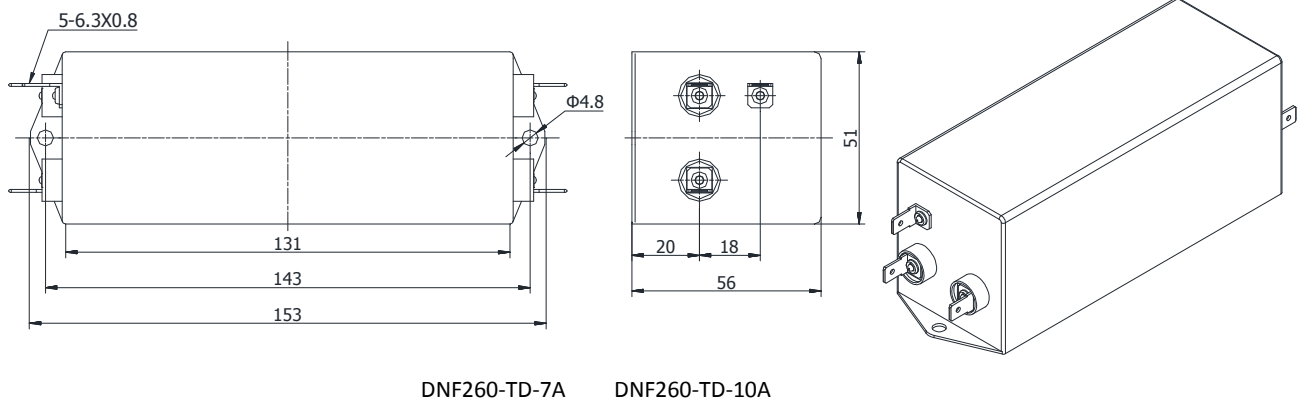
**2 Technical Data**

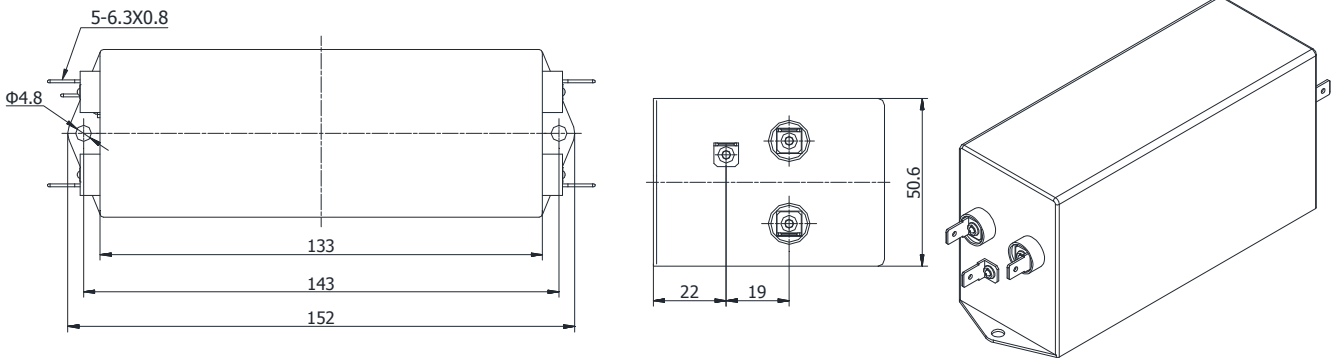
Type	Rated Voltage	Rated Current	Hi-Pot Test Voltage	
			Line-Line	Line-Ground
DNF260-TD-10A	250V~50/60Hz	10A	1800VDC,2s	1800VAC,2s
DNF260-TD-10A(1)	250V~50/60Hz	10A	1800VDC,2s	1800VAC,2s
DNF260-TD-10A(2)	250V~50/60Hz	10A	1800VDC,2s	1800VAC,2s
DNF260-TD-7A	250V~50/60Hz	7A	1800VDC,5s	1800VAC,5s

**3 Electrical Schematic**



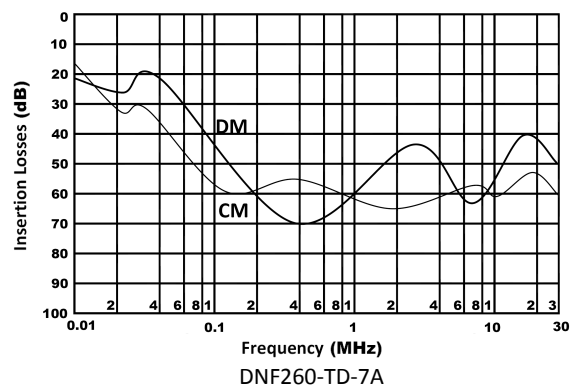
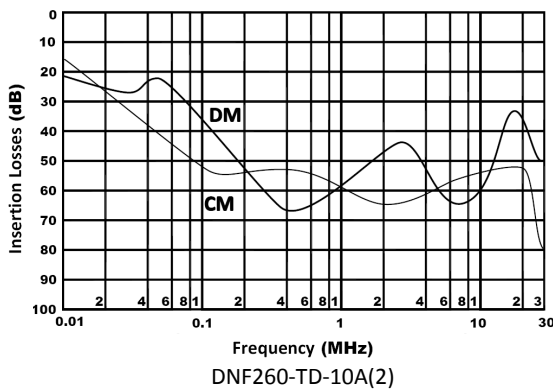
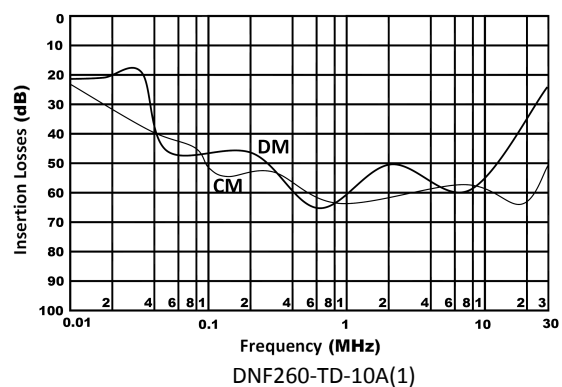
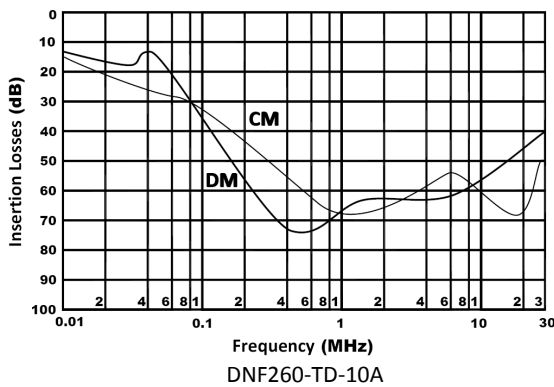
**4 Dimensions (Unit: mm)**





DNF260-TD-10A(1) DNF260-TD-10A(2)

5 Typical Insertion Losses In 50Ω System: (CM-Common Mode DM-Different Mode)



6 Installation Instructions

- 1 ) Good electrical connection is needed between filter casing and equipment shell.
- 2 ) Connecting the filter's input and output according to the provision on the label of LINE and LOAD.
- 3 ) The input wiring and the output wiring should be strictly separated, cannot be bundled together.