

**1 Features**

- Compact, easy to install, applicable to the inverter equipment, high performance in EMI control
- Nemko approved, customization accepted

**2 Code explanation**

ADL  $\frac{1}{1}$   $\frac{XX}{2}$  -  $\frac{YY}{3}$   $\frac{YY}{4}$

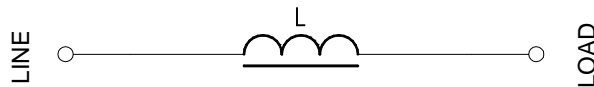
- 1—series code
- 2—the number of windings
- 3—Rated current @40°C

Number	20	21	22	23	24	25	26	27	28	29	30	31	32
Rated Current	2.0A	2.5A	3.0A	3.5A	4.0A	4.5A	5.0A	5.5A	6.0A	6.5A	7.0A	7.5A	8.0A

4—Rated inductance value

Number	10	11	12	13	14	15	16	17	18	19	01
Rated Inductance +50%-30% (mH)	2.0	2.5	3.0	3.5	4.0	4.5	5.0	5.5	6.0	6.5	7.0
Number	21	22	23	24	25	26	27	28	29	30	
Rated Inductance +50%-30% (mH)	7.5	8.0	8.5	9.0	9.5	10.0	10.5	11.0	11.5	12.0	

**3 Electrical Schematic**



**4 Dimensions (Unit:mm)**

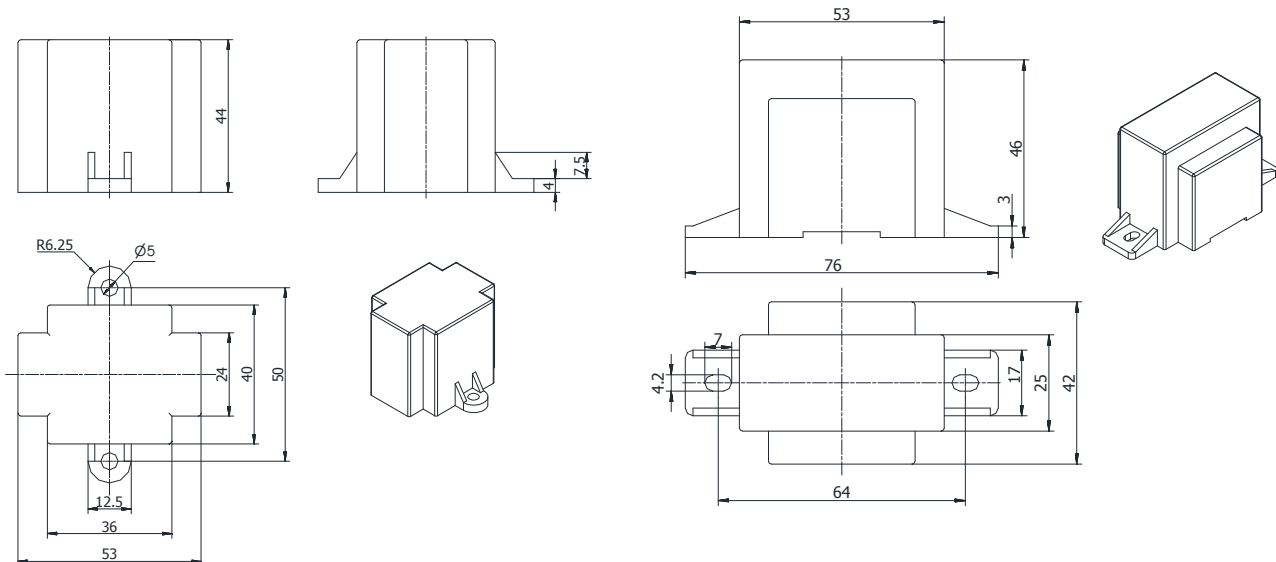


Fig A

Fig B

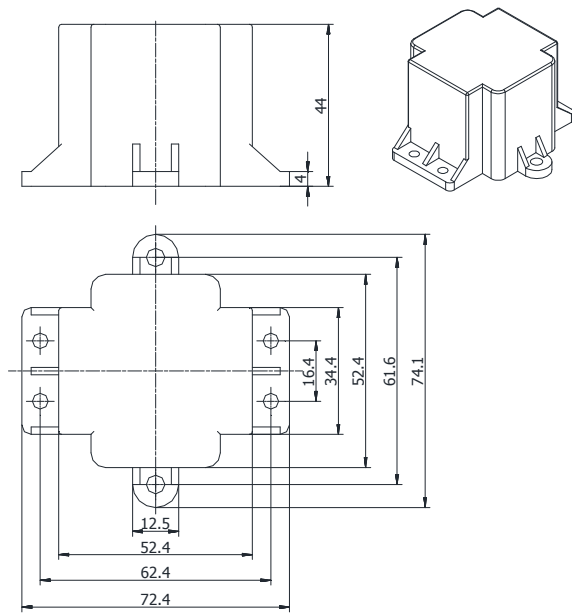


Fig C

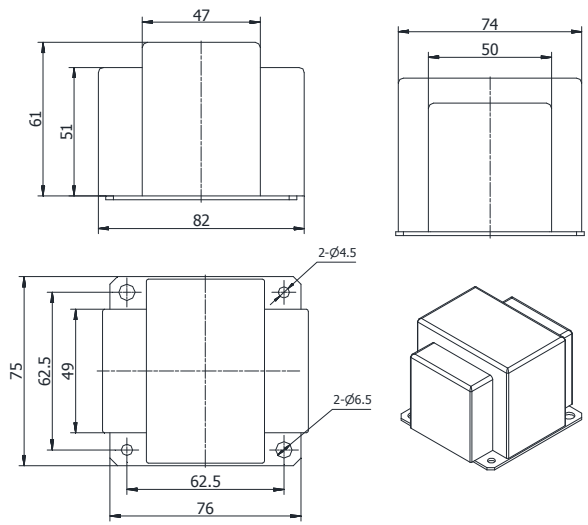


Fig D